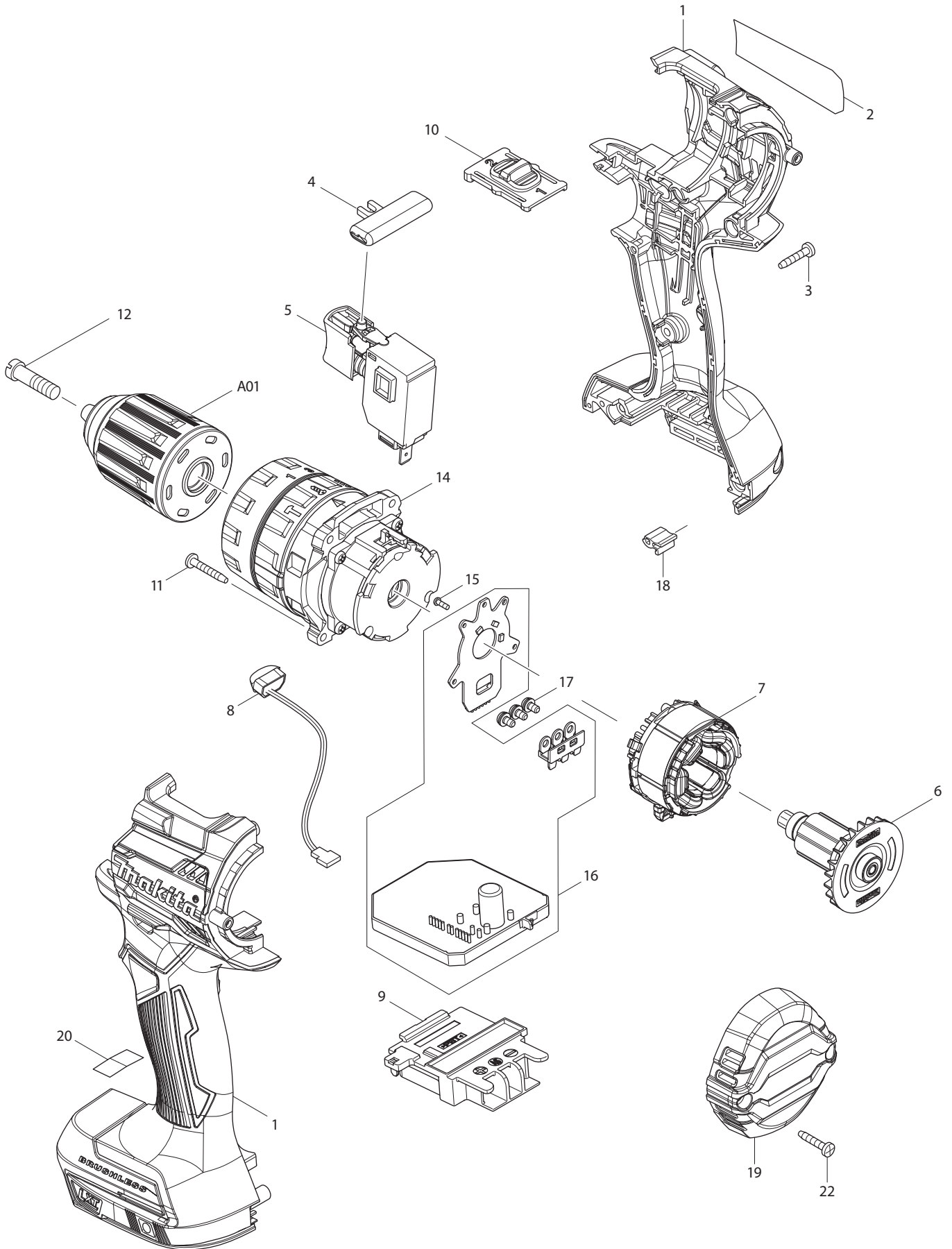




06 - 2016  
DHP484RME, DHP484SYE, DHP484Z  
18V LXT Brushless 1/2" Hammer Driver Drill



Item No	Type	Sub	Part No	Description	Qty	Unit
001	2		183L79-9	HOUSING SET	1	SET
		INC.	263005-3	RUBBER PIN 6	2	PC.
		INC.	252126-6	HEX LOCKING NUT M4-7	2	PC.
002			852L96-7	NAME PLATE F/DHP484	1	PC.
003			266429-2	TAPPING SCREW 3X16	7	PC.
004			419041-9	CHANGE LEVER F/R	1	PC.
005	2		650006-4	SWITCH TGRK2-1	1	PC.
006			619406-7	ROTOR	1	PC.
007			629225-3	STATOR	1	PC.
008			620549-0	LED CIRCUIT	1	PC.
009			643874-2	TERMINAL	1	PC.
010			123738-1	SPEED CHANGE LEVER ASSEMBLY	1	PC.
		INC.	233438-6	COMPRESSION SPRING 4	2	PC.
011			251497-8	TAPPING SCREW 3X20	4	PC.
012			251468-5	- FLAT HEAD SCREW M6X22	1	PC.
014	4		127499-5	* GEAR ASSEMBLY	1	PC.
015			266490-9	TAPPING SCREW PT 2X6	3	PC.
016			620548-2	CONTROLLER	1	PC.
017			652069-6	FLAT HEAD SCREW M3X6	3	PC.
018			424517-3	CUSHION	1	PC.
019			456966-6	REAR COVER	1	PC.
020			809U04-3	CAUTION LABEL	1	PC.
022			266429-2	TAPPING SCREW 3X16	2	PC.
100			251314-2	+ SCREW M4X12 F/HOOK & BIT HOLDER	1	PC.
<b><u>ACCESSORIES</u></b>			<b>- Visit <a href="http://www.makita.ca">www.makita.ca</a> for more accessories information -</b>			
A01			766027-7	1/2" KYLS DRILL CHUCK	1	PC.
A02			346449-3	HOOK	1	PC.
A03			784637-8	SQUARE DOUBLE ENDED BIT 2-45	1	PC.
A04			821532-2	PLASTIC CASE COMPLETE	1	PC.
		INC.	163455-1	LATCH	2	PC.
	Opt.		158597-4	PLASTIC CARRYING CASE COM.	1	PC.
		INC.	417724-5	LATCH	2	PC.
		INC.	324679-6	SHAFT	1	PC.
		INC.	419216-0	HANDLE	1	PC.
A05			450128-8	BATTERY COVER	1	PC.
A06			-----	BATTERY CHARGER		
A07			-----	18V LI-ION BATTERY		
A08			452947-8	BIT HOLDER	1	PC.

**SERVICE CHANGES**

**1. Changes on Gear Assembly**

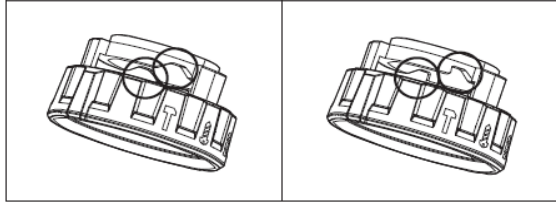
(TI#B5981) (TI#B8851) (TI#C9576)

Item No.	Description	Type 1	Type 2	Type 3	Type 4
1	GEAR ASSEMBLY	123736-5	123953-7 (N/A)	126729-1	127499-5

\*Type 3 is implemented: From the serial No. 260094.

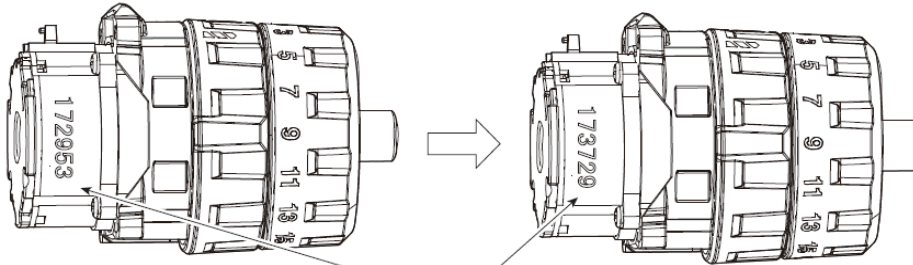
**Type 1**

**Type 2**



**Type 2**

**Type 3**



Indication for stock control